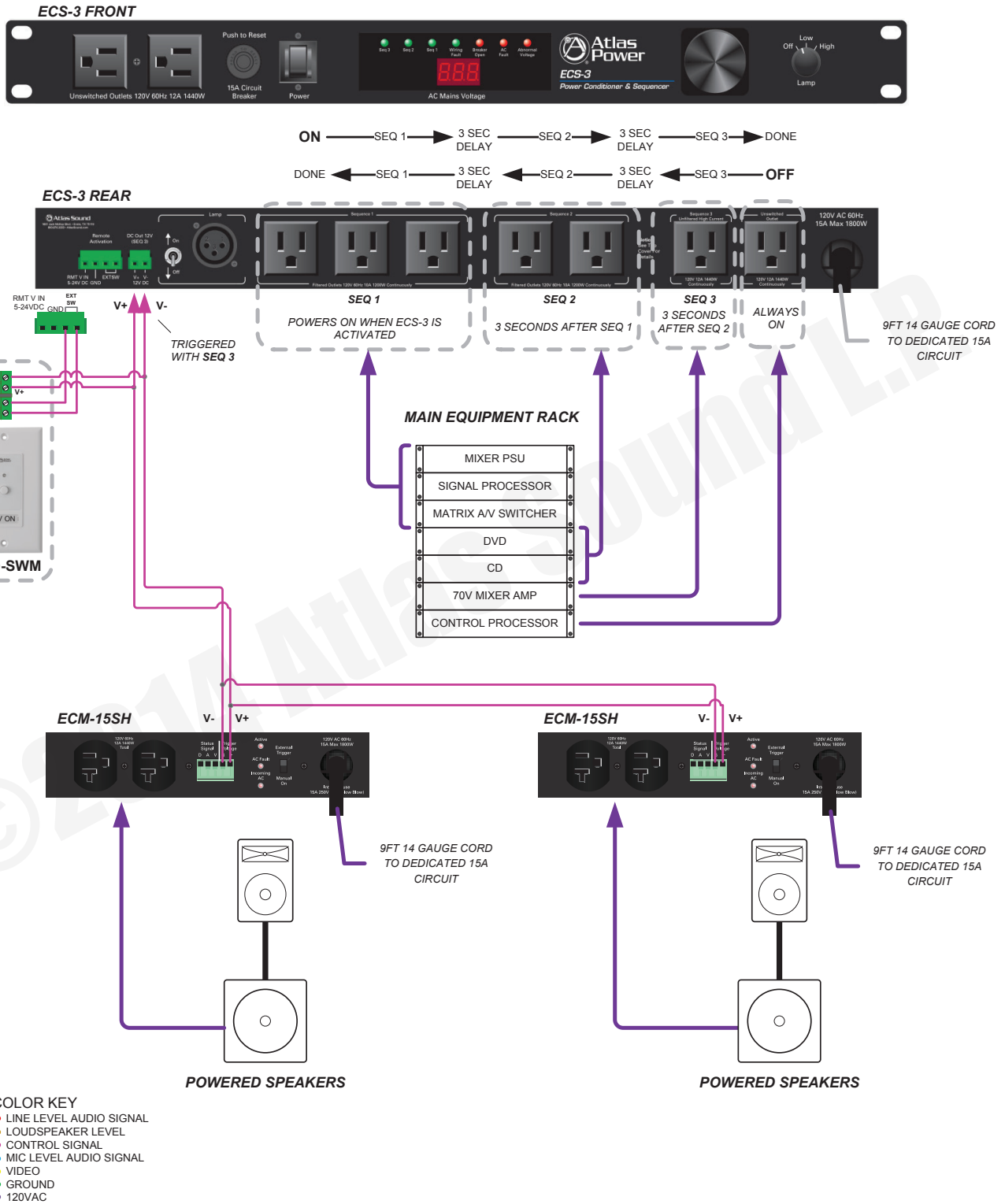




Using an ESC-3 to Remotely Activate Two ECM-15SH Modules



©2014 Atlas Sound L.P. All rights reserved. Atlas Sound is a trademark of Atlas Sound L.P. All other trademarks are property of their respective owners. AT5004916 RevB 9/14



1601 Jack McKay Blvd. • Ennis, Texas 75119 U.S.A.
Telephone: 800.876.3333 • Fax: 800.765.3435



Overview:

Power Management by sequencing the turn-on and turn-off of the AC power is essential and convenient in any sound system where separate mixers, processors, and amplifiers are deployed. The most common cause of system damage to speakers and drivers is not sequencing the power when turning components Off and On. Sequencing in this example involves automatically turning on the AC power to the speaker amplifiers after the mixer and processors have been powered On and settled into stable operating mode. In reverse, turning Off the AC power to the speaker amplifiers first, so the preamps and processors won't thump or pop through the speakers as they shut down. In addition sequencing the power will avoid tripping the main breaker by eliminating sudden current draw by turning the largest current drawing pieces of equipment On or Off one at a time.

Application Example Description:

One application where both the ECS-3 and ECM-15SH can be effectively deployed to protect electrical equipment is house of worship or other live speech/music venues. In this type of installation, a main front of house rack contains the majority of the components in the system including the main mixer and signal processors, external music sources, A/V matrix switcher, and a 70V mixer amplifier driving speakers in places like side rooms or the lobby. The main powered speakers are often stage mounted for proper sound coverage. In an application like this, an Atlas ECS-3 can be included in the front of house rack to provide power and surge protection/noise filtering as well as sequenced turn On/Off for all of the connected components. The power sequencing automatically occurs in three stages with three-second intervals when the main power switch is activated or deactivated ensuring units drawing the most current are turned On/Off without overwhelming the circuit. The un-switched rear panel outlet can be used for the system control processor so it always has power. Additionally, the integrated Remote Activation control can be wired to individual ECM-15SH modules connected to the powered speakers. A remote key or push button switch can be used to trigger the power On or Off of these on stage speakers ensuring they are ready whenever they are needed. The WPD-SWM momentary push switch or WPD-KSWCC key switch can be used to activate the remote activation on the ECS-3.

Application Example Notes:

1. Before designing a managed power system consult with a licensed electrician or the project electrical consultant.
2. Proper grounding and phase is essential for performance and safety in this or any audio/video system where multiple rack locations are deployed and connected together with signal cables.
3. Before installing the ECS-3 or ECM-15SH modules read the manuals for a complete understanding of the benefits and details of the use.



1601 Jack McKay Blvd. • Ennis, Texas 75119 U.S.A.
Telephone: 800.876.3333 • Fax: 800.765.3435